

MILTEX® HI-LIGHT

CROWN REMOVERS

Xcision® Crown Spreader



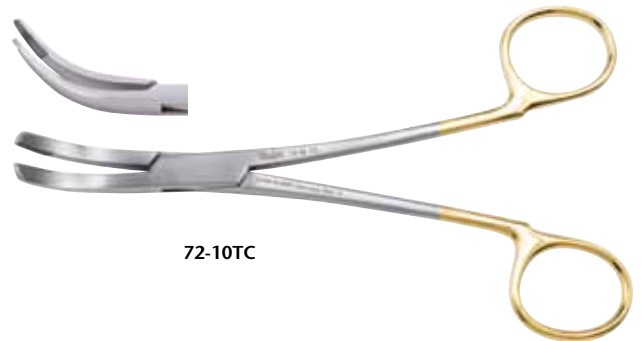
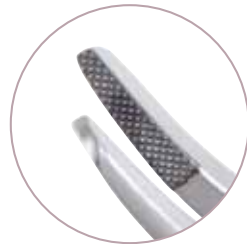
DEFXCCS

A unique member of our Xcision® line, this German stainless steel crown spreader quickly splits a crown resulting in its rapid removal.

Simply score the crown with a bur creating a slot wide enough for the crown spreader beaks. Place the crown spreader into the slot and squeeze the handle allowing the beaks to separate and split the crown.

REF	Description
DEFXCCS	Xcision® Crown Spreader

Wynman Crown Remover



72-10TC

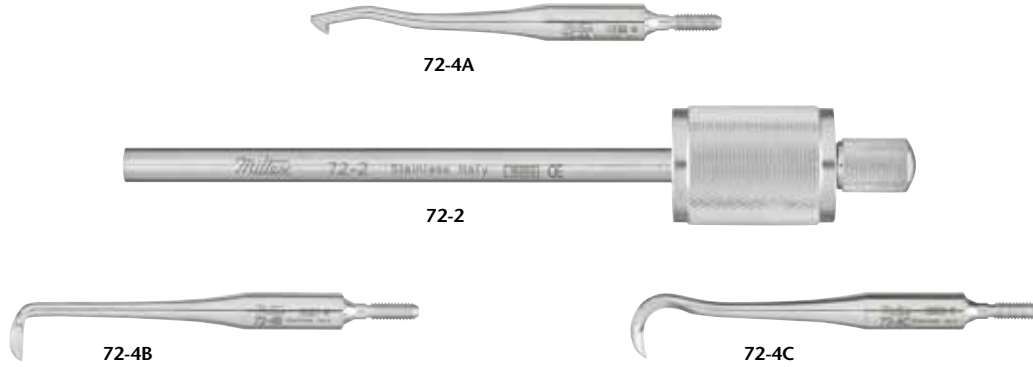
The tungsten carbide inserts on this instrument will grip the temporary crown securely without slipping. This secure grip aids in the removal of the temporary crown while still intact.

REF	Description
72-10TC	Wynman Crown Remover

See reverse side for Alternative Crown Removal Instruments

ALTERNATIVE CROWN REMOVAL INSTRUMENTS:

Morrell Crown Remover



REF	Description
72-2	Morrell Crown Remover with all 3 tips
72-4A	Point A only
72-4B	Point B only
72-4C	Point C only

Crown Keys



REF	Description
KKL	Crown Key Long
KK	Crown Key Straight
KK90	Crown Key 90°
KK45	Crown Key 45°



For additional information, an in-office demonstration, or to place an order, please contact your local Miltex, Inc. authorized Distributor or Miltex, Inc. Customer Service at 1-866-854-8300, email customerservice@miltex.com, or visit us at www.miltex.com.

Illustrations and content provide general description only and may be subject to change. Miltex and Miltex Redefining Excellence are registered trademarks of Miltex, Inc., a subsidiary of Integra LifeSciences Corporation. Xcision is a registered trademark of Helmut Zepf Medizintechnik, GmbH. T. The Integra wave logo is a trademark of Integra LifeSciences Corporation. Copyright © 2010 Integra LifeSciences Corporation